

OTC15 **T**

Overhead Mounted Tube Crane with Digital Touch Screen Display and Auto-Tracking

This overhead tube crane offers a technologist-friendly touch screen display with enhanced functionality such as generator setup and APR selection. The OTC15-T tube crane highlights auto-tracking capability allowing increased workflow efficiency with its motorized travel along its vertical axis. This permits effective alignment with its system components.



Technical Specifications:

Minimum focus ceiling distance:	32.7in (830mm)
Vertical telescope travel range:	70.8in (1800mm)
Longitudinal travel range, -with standard rail: -with optional rail extensions: -detent positions:	137.8in (3500mm) 222.2in (5645mm) configurable during installation
Transverse travel range, -with standard 9.8ft (3m) rail: -with optional 13.1ft (4m) rail: -detent positions:	84.6in (2150mm) 137.8in (3500mm) configurable during installation
Transverse track length, standard: -with optional rail extension:	119.3in (3030mm) ±.39in (10mm) 172in (4380mm) ±.39in (10mm)
Tube rotation range, horizontal axis: -detent positions:	-120°, +120° -90°, 0°, +90°
Tube rotation range, vertical axis: -detent positions:	+182°, -154° +180°, -90°, 0°, +90°
Maximum installation height:	≤1.2 miles (2000m) above sea level

Touch Screen Specifications:

Display size:	8.4 in LED backlight panel
Resolution:	800 x 600
Brightness:	450 cd/m ²
Touch screen type:	4-wire Resistive

Product Options:

- 300kHU, 400kHU or 600kHU, FS 0.6-1.2mm, X-ray tube
- Extended longitudinal rail length, up to 20ft (6.37m)
- 13.12ft (4m) transverse bridge specifications

09.15 #9000-OTC15T



www.delmedical.com

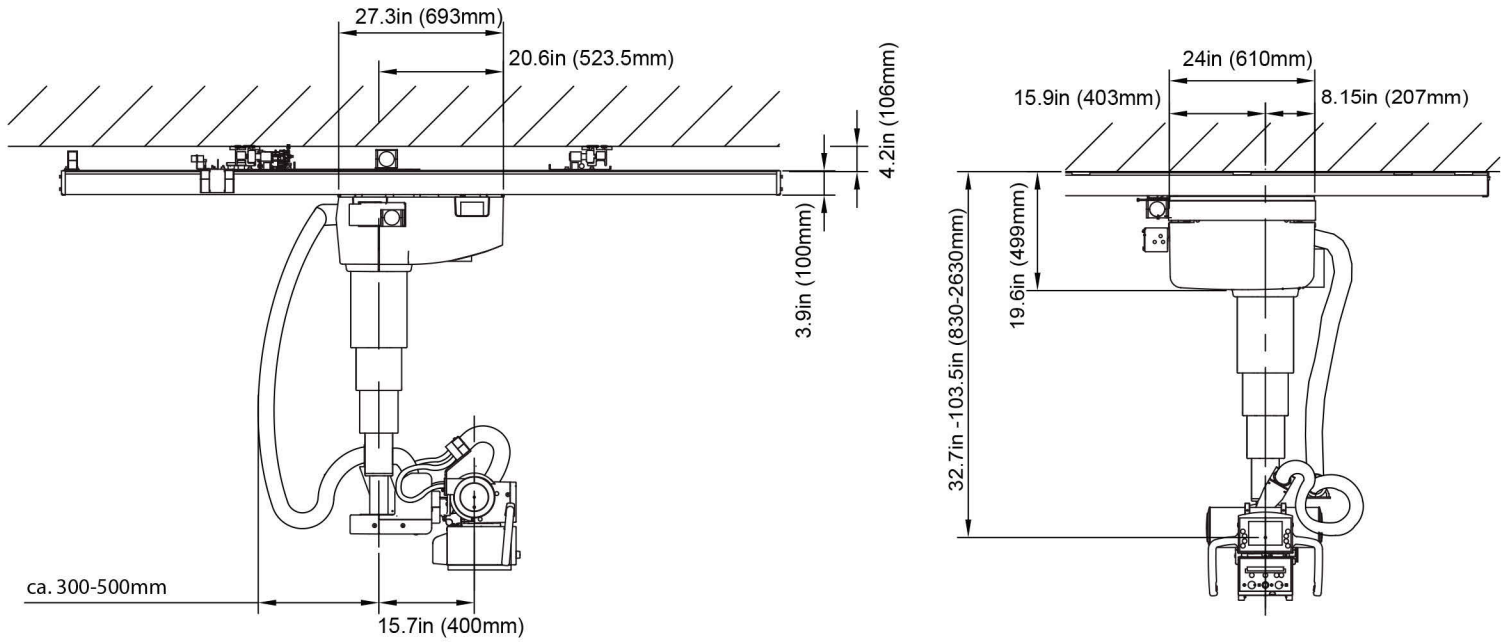


New York
28 Calvert Street
Harrison, NY 10528
(Tel) 800.261.9808
(Fax) 914.835.6111

Chicago
241 Covington Drive
Bloomington, IL 60108
(Tel) 800.800.6006
(Fax) 847.288.7011

DEL MEDICAL
A **UMG** COMPANY

OTC15-T Overhead Tube Crane



OTC15-T Touch Screen Console

